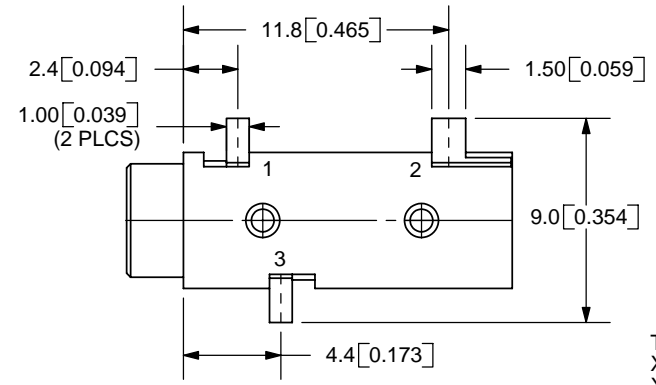
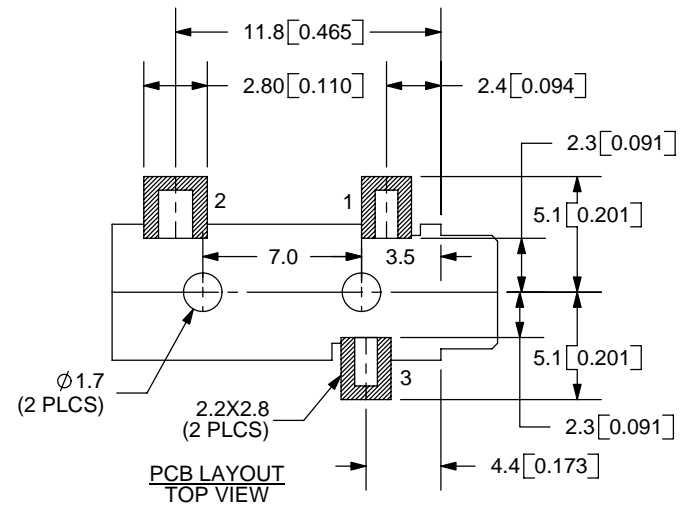
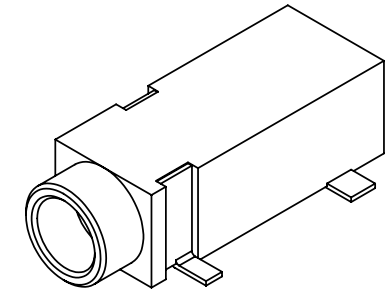
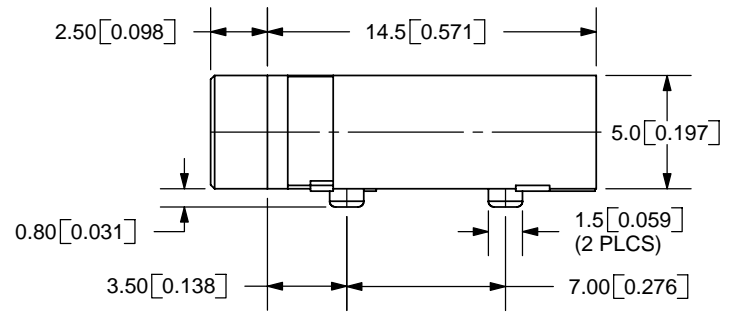
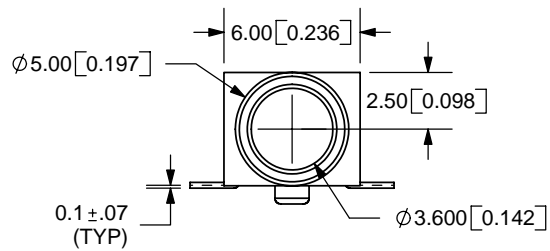


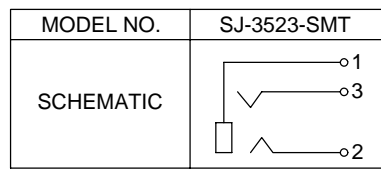
REV.	DESCRIPTION	DATE
A	NEW DRAWING	12/2/2005



TOLERANCE:
 X.X ±0.2mm
 X.XX ±0.1mm
 X.XXX ±0.05mm



9615 SW Allen Blvd., Ste. 103
 Beaverton, OR 97005
 Phone: 503-643-4899
 800-275-4899
 Fax: 503-372-1266
 Website: www.cui.com



SPECIFICATIONS:
 CONTACT RESISTANCE: 30m OHMS MAX
 INSULATION RESISTANCE: 50M OHMS MIN: 500V DC
 VOLTAGE WITHSTAND: 500V AC R.M.S. FOR 1 MINUTE
 LIFE: 5,000 CYCLES

TERMINAL	MATERIAL	PLATING	TITLE:	REV:
TERMINAL 1	Copper Alloy	Silver	3.5mm SURFACE MOUNT AUDIO JACK-STEREO	A
TERMINAL 2	Copper Alloy	Silver	PART NO. SJ-3523-SMT	UNITS: MM [INCHES]
TERMINAL 3	Copper Alloy	Silver		
HOUSING	PA6T		DRAWN BY: ZRJ	APPROVED BY:
				SCALE: 3:1

PC FILE NAME:
 SJ-3523-SMT

COPYRIGHT 2006 BY CUI INC.