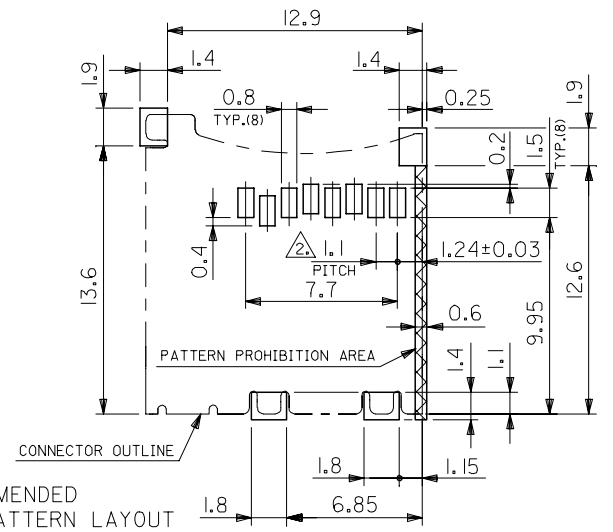
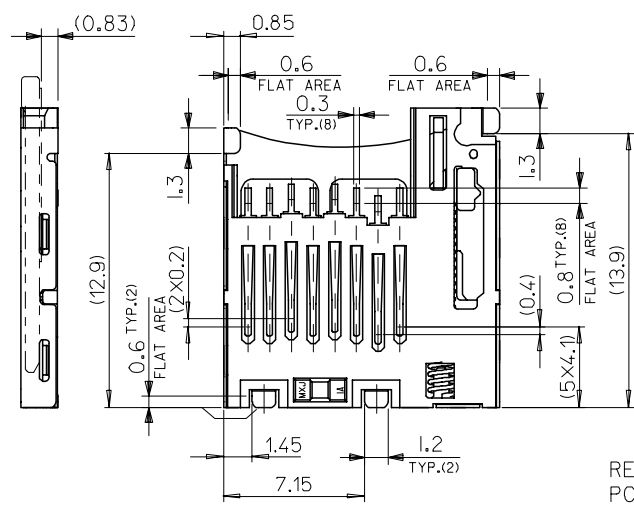
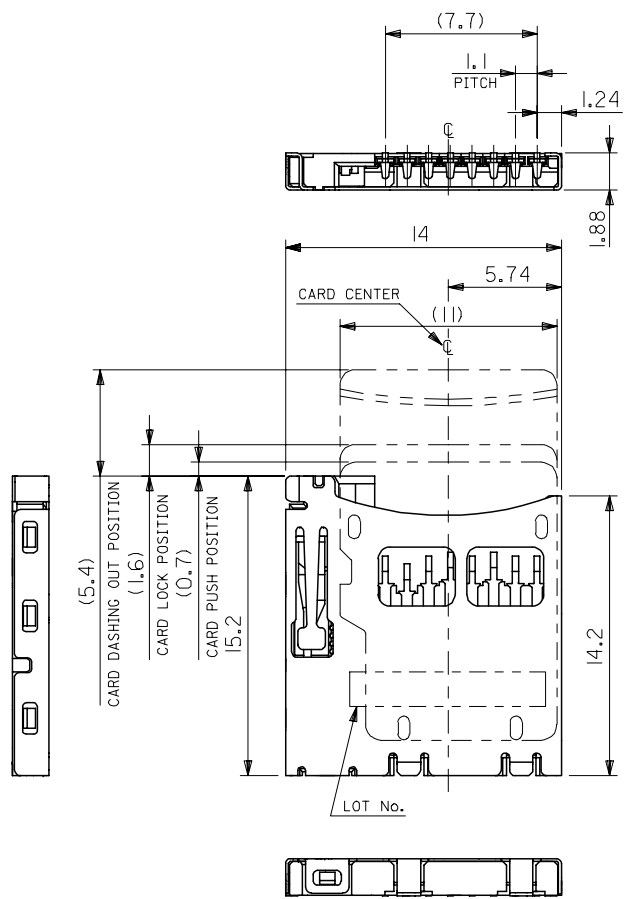


PARTS	QTY	MATERIAL	FINISH
ハウジング HOUSING	1	ガラス入り耐熱樹脂 (LCP), UL94V-0 色:黒 HEAT RESISTANCE POLYMER (LCP), UL94V-0, BLACK	—
スライダーカム SLIDER CAM	1	ガラス入り耐熱樹脂 (LCP), UL94V-0 色:黒 HEAT RESISTANCE POLYMER (LCP), UL94V-0, BLACK	—
ターミナル TERMINAL	8	コルソン銅 CORSON COPPER	接点部: 金メッキ 0.5 μ m MIN. CONTACT AREA: GOLD 0.5 μ m MIN. 下地: ニッケルメッキ 2.0 μ m MIN. UNDER PLATING: NICKEL 2.0 μ m MIN. 半田付け部: 錫メッキ 1.0 μ m MIN. SOLDER AREA: TIN 1.0 μ m MIN.
メタルカバー METAL COVER	1	ステンレス鋼 STAINLESS STEEL	全面: ニッケルメッキ 1.0 μ m MIN. ALL OVER: NICKEL 1.0 μ m MIN.
ピン PIN	1	ステンレス鋼 STAINLESS STEEL	—
スプリング SPRING	1	ピアノ線 SWP	全面: ニッケルメッキ ALL OVER: NICKEL



RECOMMENDED
PCB PATTERN LAYOUT
(GENERAL TOLERANCE : ±0.05)

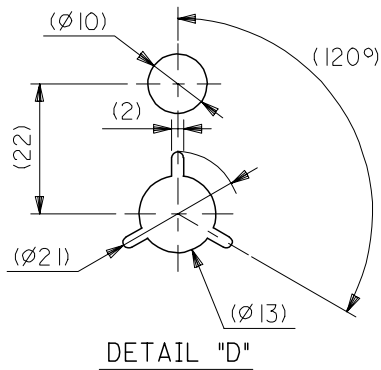
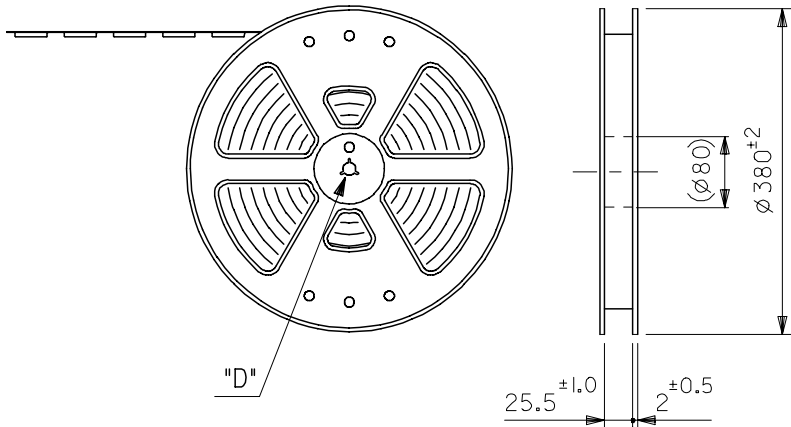
NOTES

- 1. ターミナル及びネイルの平坦度は 0.1 MAX.
TERMINAL AND NAIL COPLANARITY TO BE 0.1 MAX.
- △ 公差非累積
TOLERANCE : NON-CUMULATIVE

EMBOSSED TAPE	500873-0801	500873-08**
CONNECTOR ONLY	500873-0809	
PACKAGE	MATERIAL No.	MODEL No.

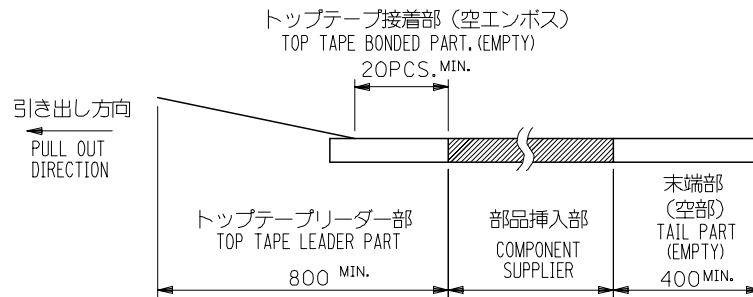
REVISED EC NO: J2005-0240 DRAWN: NABEI 2004/07/29 CHKD: SMARUYAM 2004/08/02 APPR: MSASAO 2004/08/03	GENERAL TOLERANCES (UNLESS SPECIFIED)		DIMENSION STYLE MM ONLY		SCALE 4:1	DESIGN UNITS METRIC	THIRD ANGLE PROJECTION
	10 UNDER	±0.2	DRAWN BY SMARUYAM	DATE '03/08/28	TITLE TFR MEMORY CARD CONN. PUSH/PUSH NORMAL TYPE		
	10 OVER 30 UNDER	±0.25	CHECKED BY MSASAO	DATE '03/08/28			
	30 OVER	±0.3	APPROVED BY MSASAO	DATE '03/08/28			
ANGULAR	±3 °	MATERIAL NO. SEE CHART		DOCUMENT NO. SD-500873-001		SHEET NO. 1 OF 1	
DRAFT WHERE APPLICABLE MUST REMAIN WITHIN DIMENSIONS		THIS DRAWING CONTAINS INFORMATION THAT IS PROPRIETARY TO MOLEX INCORPORATED AND SHOULD NOT BE USED WITHOUT WRITTEN PERMISSION					

引き出し方向
PULL OUT DIRECTION

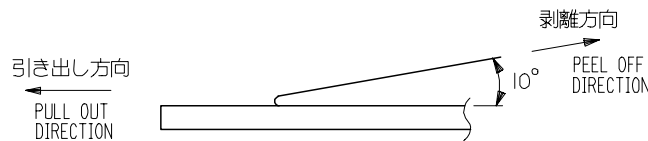


NOTES

1. 製品詳細寸法については、SD図面を参照下さい。
RE DETAILED DIMENSION, SEE SALES DRAWING.
2. 梱包数量：1400個/リール
NUMBER OF CONNECTORS：1400PCS/REEL
3. リードテープ長さ LEAD TAPE LENGTH



4. トップテープの剥離強度：0.1N～1.3N (10.2gf～130gf) (剥離方向は下図参照) 尚、本規格値は出荷時に適用。(但し、輸送時に剥離が発生しないこと。)
PEELING OFF FORCE OF TOP TAPE：0.1N～1.3N (10.2gf～130gf)
(PEELING DIRECTION AS SHOWN IN FOLLOWING FIG.)
THIS REQUIREMENT SHOULD BE APPLIED AT SHIPMENT.
PEEL OFF SHOULD NOT BE ALLOWED, DURING TRANSPORTATION.



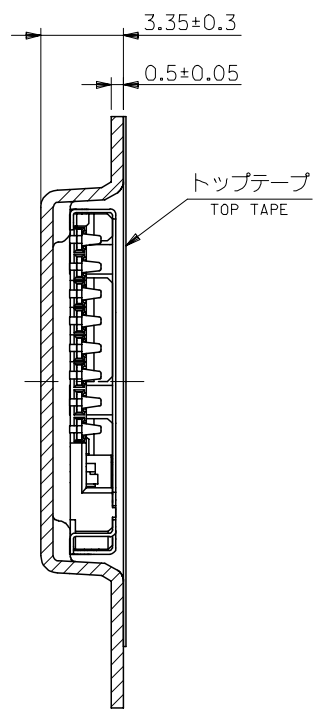
5. 材料 (MATERIAL)

キャリアテープ (CARRIER TAPE)：ポリプロピレン (POLYPROPYLENE)
トップテープ (TOPTAPE)：PET, PE, PEF
リール (REEL)：ポリスチレン (PS) <リサイクル材を含む>
POLYSTYRENE (PS) <RECYCLE MATERIAL CONTAINED>

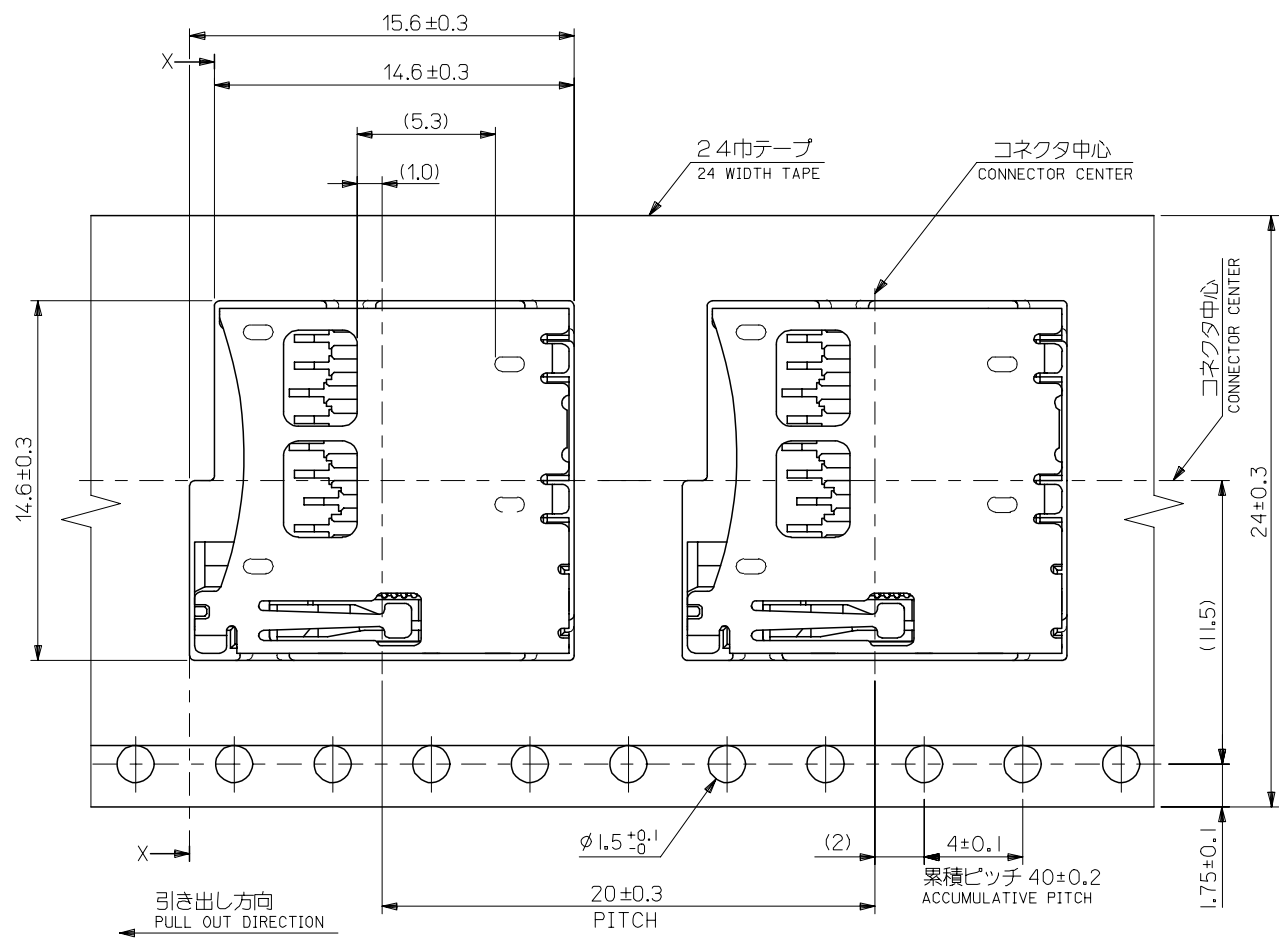
REVISED EC NO: J2005-3083 DRAWN: AOYAGI 2005/04/13 CHKD: TANAKA 2005/04/14 APPR: NUKITA 2005/04/22	GENERAL TOLERANCES (UNLESS SPECIFIED)		DIMENSION STYLE MM ONLY		SCALE ---	DESIGN UNITS METRIC	THIRD ANGLE PROJECTION	
	10 UNDER	±0.2	DRAWN BY S. MARUYA		DATE 2004/06/30	TITLE TFR CARD CONN. EMBOSSSED TAPE PACKAGE		
	10 OVER 30 UNDER	±0.25	CHECKED BY M. SASAO		DATE 2004/06/30	MOLEX MOLEX INCORPORATED		
	30 OVER	±0.3	APPROVED BY M. SASAO		DATE 2004/06/30	DOCUMENT NO. SD-500873-002		
	ANGULAR	±3 °	MATERIAL NO. 500873-0801		SHEET NO. 1 OF 2		THIS DRAWING CONTAINS INFORMATION THAT IS PROPRIETARY TO MOLEX INCORPORATED AND SHOULD NOT BE USED WITHOUT WRITTEN PERMISSION	

10 9 8 7 6 5 4 3 2 1

F
E
D
C
B
A



SECTION X-X



F
E
D
C
B
A

REVISED EC NO: J2005-3083 DRAWN: AOYAGI 2005/04/13 CHKD: TANAKA 2005/04/14 APPR: NUKITA 2005/04/22	GENERAL TOLERANCES (UNLESS SPECIFIED)		DIMENSION STYLE MM ONLY		SCALE ---	DESIGN UNITS METRIC	THIRD ANGLE PROJECTION	
	10 UNDER	±0.2	DRAWN BY S. MARUYA	DATE 2004/06/30	TITLE TFR CARD CONN. EMBOSSED TAPE PACKAGE			
	10 OVER 30 UNDER	±0.25	CHECKED BY M. SASAO	DATE 2004/06/30	MOLEX INCORPORATED			
	30 OVER	±0.3	APPROVED BY M. SASAO	DATE 2004/06/30	MATERIAL NO. 500873-0801	DOCUMENT NO. SD-500873-002	SHEET NO. 2 OF 2	
ANGULAR ±3 °		DRAFT WHERE APPLICABLE MUST REMAIN WITHIN DIMENSIONS		SIZE A3		THIS DRAWING CONTAINS INFORMATION THAT IS PROPRIETARY TO MOLEX INCORPORATED AND SHOULD NOT BE USED WITHOUT WRITTEN PERMISSION		