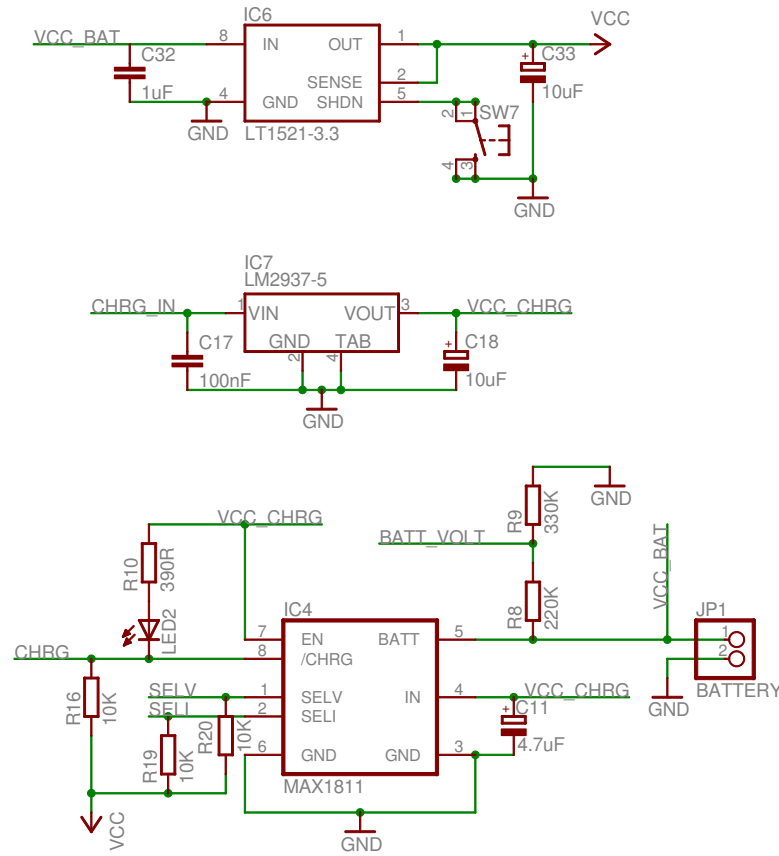
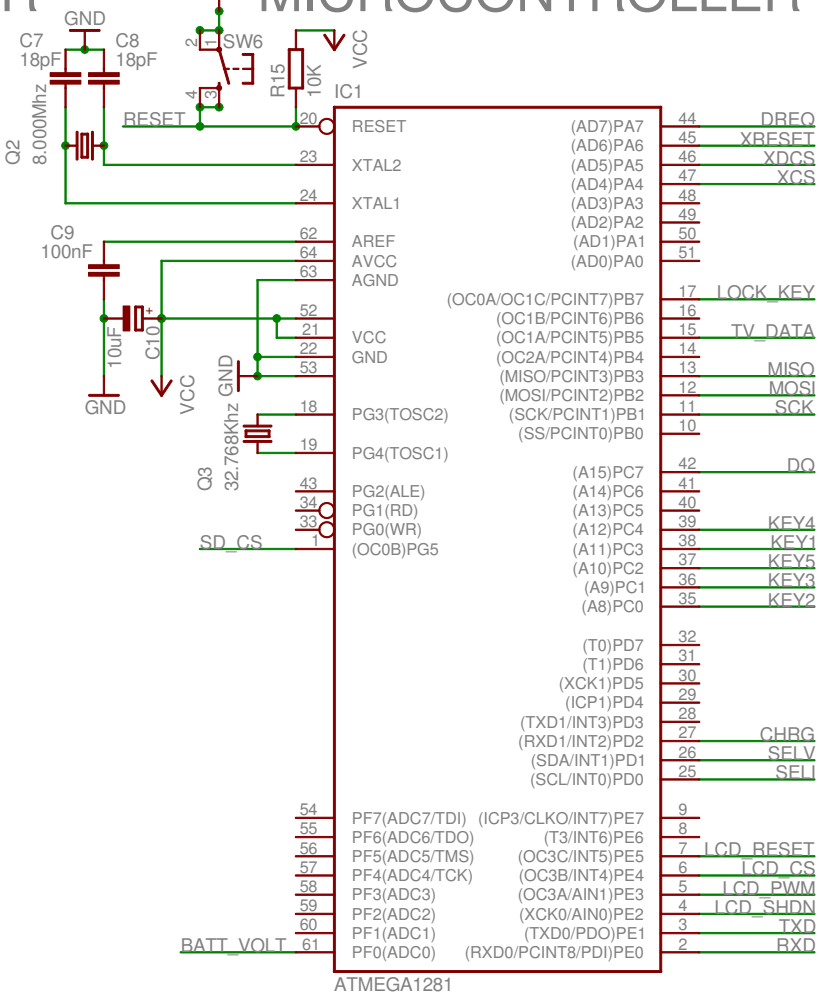


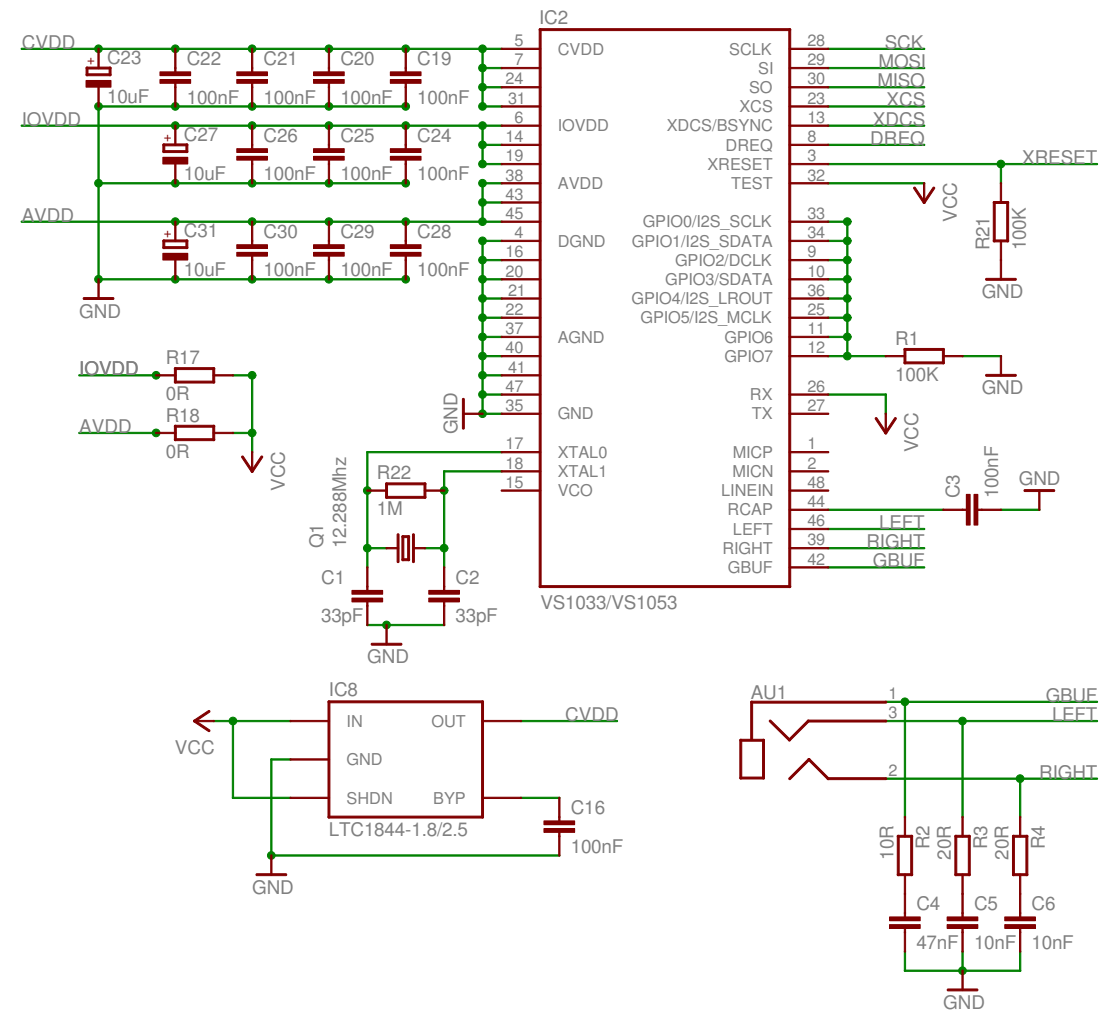
# POWER SUPPLY & BATT. CHARGER



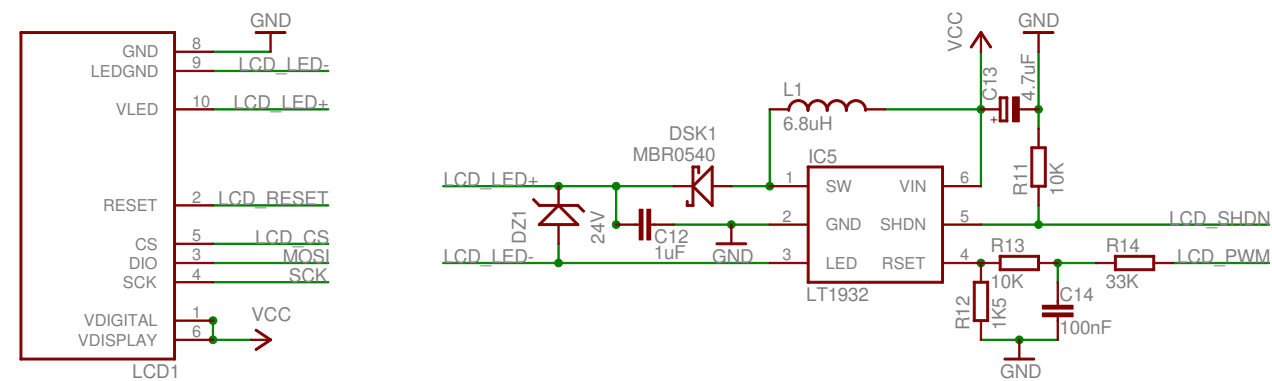
# MICROCONTROLLER



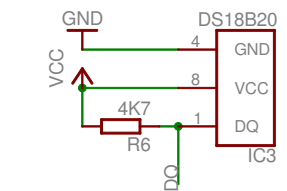
# AUDIO DECODER



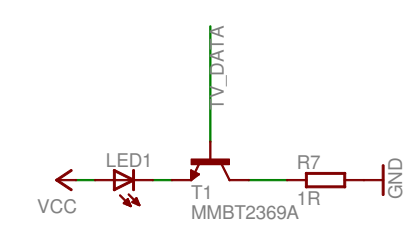
# LCD & BACKLIGHT DRIVER



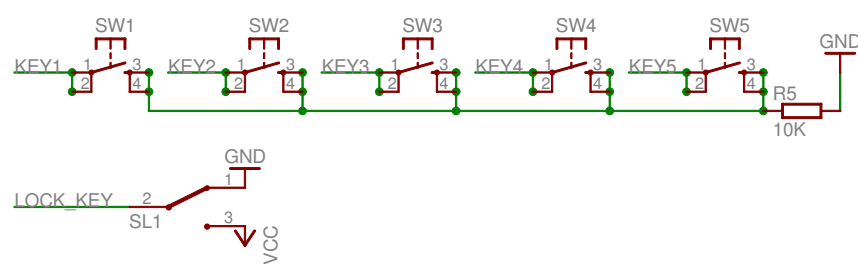
# TEMP. SENSOR



# TV REMOTE



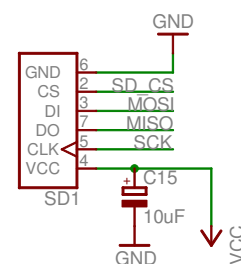
# KEYBOARD & LOCK KEY



# DOCK



# MICROSD CARD



<b>OPENPLAYER</b> A music player for geeks Board revision 1.1	Gerard Marull Paretas
	openplayer
	1/09/2008 22:24:34
	Sheet: 1/1